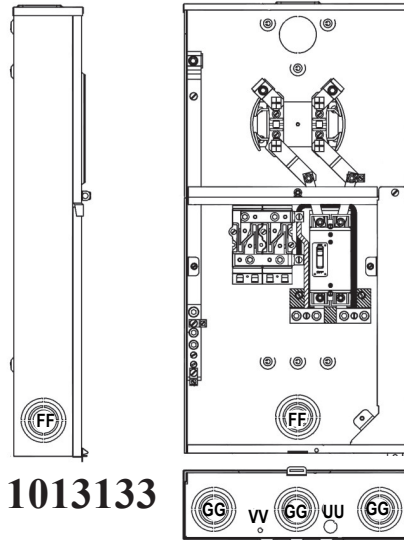


# Socket Breaker Combinations - NEC 2023 & UL67 Compliant

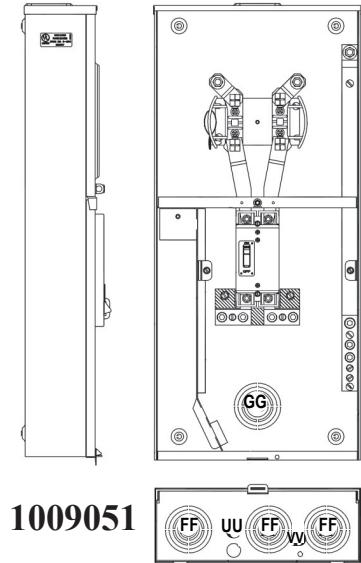
4 Jaw | Single Phase | 200 Ampere | Overhead/Underground | with Wireway | Ring & Ringless | 120/240 VAC



**1013133**



**1013133**



**1009051**

Catalog Number		Poles	2 Pole Bolt-In Breaker Installed	Provisions For Additional Plug-In Breakers	Wire Size CU-AL		Hub	Dimensions		
Ringless	Ring				Line	Load		H"	W"	D"
*1009051	-	2	200 Amp	-	3/8" Stud	(2) #6-250	HO	29	13	4-3/8
**1010206B	-	6	200 Amp	(2) 2-Pole	#6-350	(2) #6-250	HO	30	15	4-3/8

Hub /Top Configuration	Catalog Suffix
Solid Top	A
For Hub (SM)	B
HCP (SM)	C
1-1/4" (SM)	L
1-1/2" (SM)	M
2" (SM)	N
2-1/2" (SM)	P

- Ring units supplied less sealing ring.
- \*\*Provisions for (2) 2-pole plug-in breakers (100 Amp max).
- \*\*1010206B units will accept plug-in breakers Square-D Type-Hom; Eaton Type-BR; Siemens Type-QP; GE Type- THQL.
- Plug-in breaker pad for 1010206B is wired in series with main breaker.
- 1010206B has solid bottom front instead of breaker access door.
- \*1009051 has UL label. Contact representative or factory about UL for other units.
- G-90 galvanized steel, NEMA 3R enclosures.
- For Meter Socket options see replacement parts & accessories pages.

Concentric Knockout	
FF	2-1/2, 2, 1-1/2, 1-1/4, 1, 3/4, 1/2
GG	2-1/2, 2, 1-1/2, 1-1/4, 1
UU	1/2
VV	5/16

- Other NEC 2023 Socket Breaker configurations available.  
Please contact your Durham Company agent for your needs.